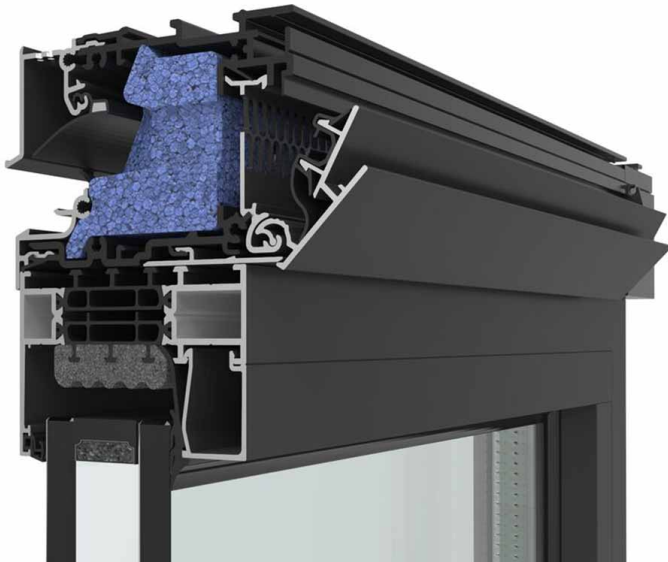


Invisivent Air



- ✓ aluminium pressure-controlled vent
- ✓ I-flux technology
- ✓ optional Pollux PM10 filter
- ✓ can be controlled with a pull cord
- ✓ air flow at 10 Pa: 16.4 l/s/m
- ✓ acoustic attenuation: $D_{n,e,w} = 31$ dB (open), 51 dB (closed)
- ✓ suitable for mounting on window profiles with a thickness of 50 to 202 mm

The Invisivent Air Light is a thermally insulated window vent, fitted on the window profile, that self-regulates the air flow based on pressure differences inside and outside the building.

This is a solution that performs equally well in modern buildings and renovations due to its uniform, monoblock construction and discreet design. It also allows for the use of the optional Pollux PM10 filter, which eliminates harmful airborne particulate matter.

AIR INLETS

ACCESSORIES